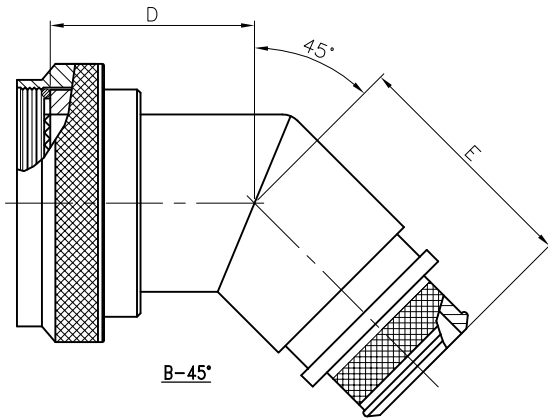
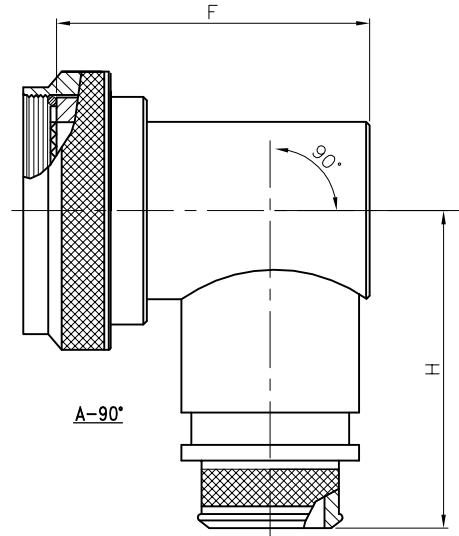
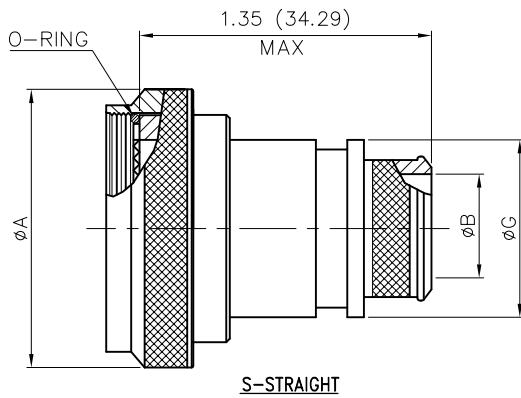
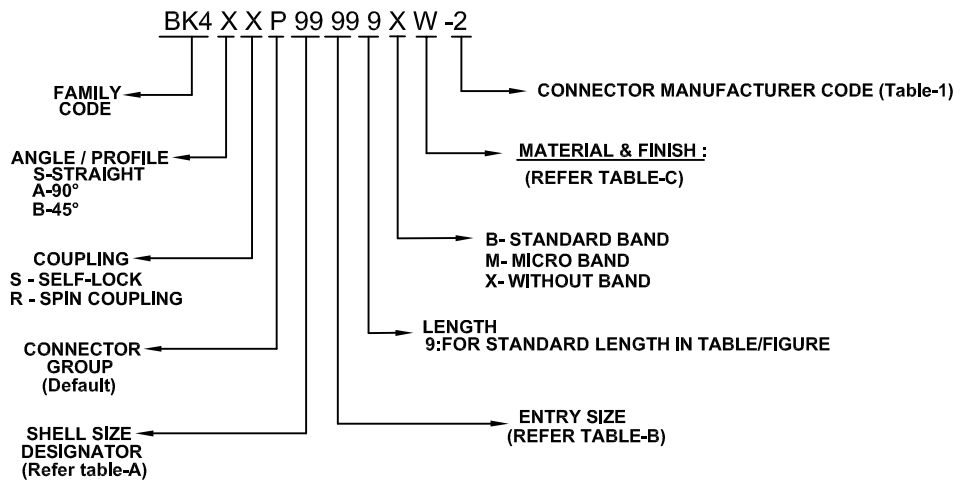


Issue No.	Eng. Ref. No.	REVISIONS	Date	App. By
1	--	ORIGINAL	31/01/14	paramesh
02	--	TABLE-A MODIFIED	17/03/15	393K

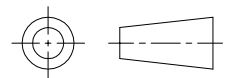


PART NUMBERING SYSTEM :-



Amphenol
AIIPL

TITLE **BAND LOCK ADAPTER (BK4)**
FOR MIL-DTL-5015 SOLDER
(MS3100 SERIES)



All Dimensions are in
INCHES(MM)

STANDARD

Name	Date
Drawn by <i>T.H.M.A.P</i>	31/01/14
Checked by <i>Hsc</i>	31/01/14
App.by <i>paramesh</i>	31/01/14

Dwg. Size
A4

Dwg.No.	PSTDBS529
Doc. No.:	QF-DEV-76
REV. NO. :	02
Sheet	1 OF 2

Issue No.	Eng. Ref. No.	REVISIONS	Date	App. By
1	--	ORIGINAL	31/01/14	paramesh
02	--	TABLE-A MODIFIED	17/03/15	ggx

☞ **TABLE-A**

SHELL SIZE DESIGNATOR	CONNECTOR SHELL SIZE/CODE	ØA MAX.		D MAX.		E MAX.		F MAX.		H MAX.	
		INCH	MM	INCH	MM	INCH	MM	INCH	MM	INCH	MM
08	08S	0.86	21.84	1.01	25.65	1.16	29.46	1.46	36.93	1.42	35.99
10	10S	0.99	25.14	1.03	26.16	1.19	30.23	1.52	38.50	1.48	37.59
10SL	10SL	0.99	25.14	1.03	26.16	1.19	30.23	1.52	38.50	1.48	37.59
12	12,12S	1.16	29.46	1.06	26.92	1.21	30.73	1.65	41.67	1.55	39.45
14	14, 14S	1.28	32.51	1.08	27.43	1.24	31.50	1.77	44.85	1.61	41.00
16	16, 16S	1.41	35.81	1.11	28.19	1.26	32.00	1.83	46.45	1.68	42.62
18	18	1.52	38.60	1.12	28.45	1.27	32.26	1.96	49.63	1.77	45.03
20	20	1.64	41.65	1.15	29.21	1.30	33.02	2.02	51.23	1.80	45.62
22	22	1.77	44.95	1.17	29.72	1.33	33.78	2.15	54.37	1.86	47.22
24	24	1.89	48.00	1.20	30.48	1.35	34.29	2.21	55.98	1.92	48.74
28	28	1.97	50.03	1.05	26.40	1.50	38.10	2.42	61.30	2.04	51.87
32	32	2.24	56.89	1.10	27.70	1.62	41.10	2.69	68.30	2.17	55.11
36	36	2.44	61.97	1.13	28.90	1.75	44.5	2.89	73.20	2.29	58.16

☞ **TABLE-B:-**

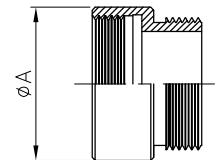
ENTRY SIZE	ØB +0.010-0.020 (+0.25-0.50)		ØG MAX	
	INCH	MM	INCH	MM
02	0.124	3.17	0.208	9.80
03	0.187	4.75	0.528	13.40
04	0.250	6.35	0.547	13.90
05	0.311	7.92	0.591	15.00
06	0.374	9.52	0.657	16.70
07	0.437	11.12	0.717	18.20
08	0.500	12.70	0.780	19.80
09	0.562	14.30	0.843	21.40
10	0.625	15.88	0.906	23.00
11	0.688	17.50	0.969	24.60
12	0.750	19.05	1.031	26.20
13	0.812	20.65	1.094	27.80
14	0.875	22.23	1.157	29.40
15	0.938	23.83	1.220	31.00
16	1.000	25.40	1.283	32.60
17	1.082	27.50	1.346	34.20
18	1.125	28.58	1.409	35.80
19	1.208	30.70	1.472	37.40
20	1.250	31.75	1.535	39.00
21	1.333	33.88	1.598	40.60
22	1.374	34.92	1.661	42.20
23	1.440	36.58	1.744	44.29
24	1.500	38.10	1.787	45.40

☞ **TABLE-1:-**

Code	MANUFACTURER
1	Amphenol/BCO Class-E/F/R
2	Amphenol Class-A
3	Cannon Class-E/F/R
4	Cannon Class-A
5 *	ALL

☞ **TABLE-C**

MATERIAL	FINISH CODE	FINISH
ALUMINIUM ALLOY	W	CADIUM OLIVE DRAB
	N	ELECTROLESS NICKEL
	ZN	ZINC NICKEL
	TN	NICKEL TEFLON
	A	ANODIZE BLACK



CODE 5
ADDITIONAL ADAPTER'S

☞ **MATERIAL:-**

- ⇨ Aluminium alloy as per ASTM B211 / B85
- ⇨ Corrosion resistant steel as per AMS-QQ-S-763

☞ **NOTE:-**

- ⇨ When Maximum Cable Entry Exceed's Connector Shell Diameter, Style-2 will be Supplied.
- ⇨ -5 Is unknown manufacturing specification
- * ⇨ For -5 additional adapter is supplied

<p style="text-align: center;">Amphenol AIPL</p>		<p style="text-align: center;">TITLE BAND LOCK ADAPTER (BK4) FOR MIL-DTL-5015 SOLDER (MS3100 SERIES)</p>			
Drawn by	Name	Date	Dwg. Size A4	Dwg.No. PSTDBS529	STANDARD
Checked by	<i>Jsc</i>	31/01/14			
App.by	<i>paramesh</i>	31/01/14			
			Doc. No.: QF-DEV-76	Sheet 2 OF 2	
			REV. NO. : 02		