



Amphenol LTD
MILITARY & AEROSPACE



STINGRAY

Magnetic Connector Series

September 2021

Introducing Stingray 7

THE STINGRAY 7 PRODUCT SERIES IS OPTIMISED FOR BODY-WORN APPLICATIONS

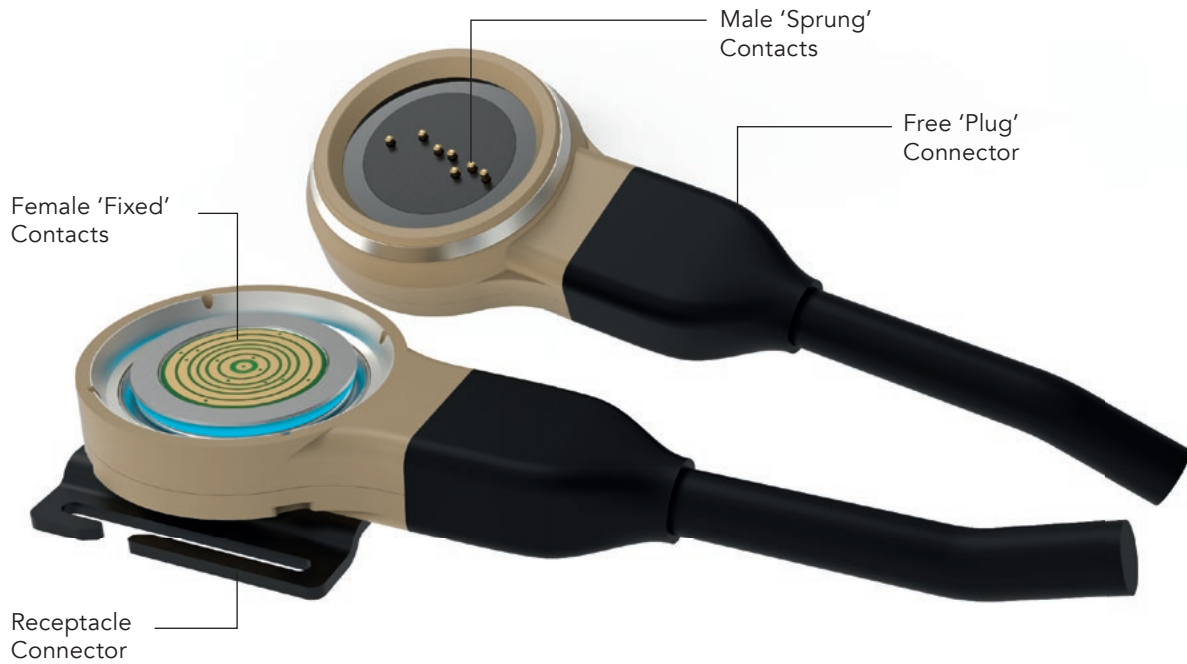
Stingray 7 series offers compact, low profile, metal shelled connectors that withstand exposure to moisture, dust, dirt and chemicals typically encountered by First Responders, Security and Military personnel.

Designed to meet the requirements of DEF-STAN 23-012, the magnetic, non-keyed coupling system has no moving parts and allows the connector to be easily mated without the need for pre-alignment and eliminates the need to operate any mechanical coupling mechanisms.

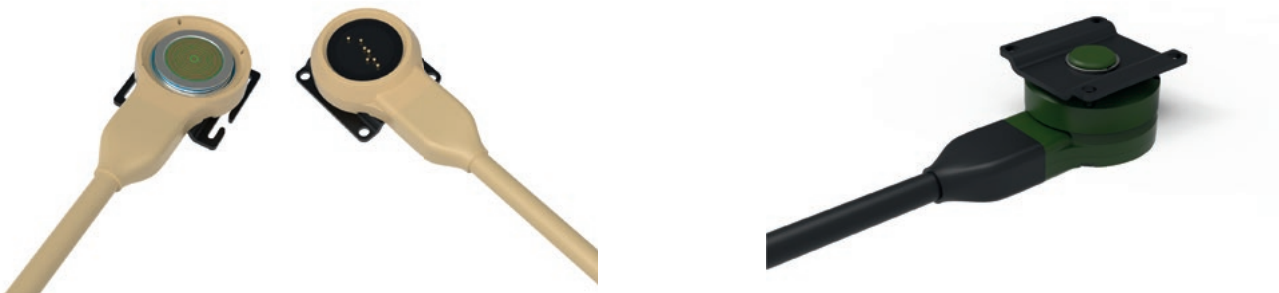
The magnetic technology allows the connector to quickly disconnect making it ideal for connection between non-tethered equipment, such as helmet to torso, and therefore protects users from potential injury due to cable snagging.

FEATURES	BENEFITS
Quick disconnect in all angles of separation	Ideal for non-tethered equipment and protects users and equipment from damage due to cable snagging
Non-keyed, magnetic 'blind' mating	Does not require pre-alignment when mating, the cable exit angle is infinitely variable and can be set and adjusted by the user
Metal housings with low-impedance shell to shell conductivity	360° EMI Shielding
5A current rating on power contacts	High power performance for battery charging
Modular mounting system including MOLLE loop attachment option	The Mounting System can be changed by the user and the MOLLE loop mounting plate is optimised for mounting on vests and load bearing harnesses
10,000+ mating cycles	Increased connector life before replacement
Either connector gender can be mounted	Provides design flexibility and allows two signals to be co-located
IP68 sealing mated and unmated	High degree of sealing prevents ingress of dust and moisture
First-mate, last-break contact	Allows hot-swapping of equipment and signals (i.e. interface is passive until the connector is fully mated)
Low profile with the cable exit within the height of the connector	Cable runs parallel to the body eliminating loops and preventing snagging
90Ω USB 2.0 Pair	'Plug & Play' USB performance
Optional termination method	Available with solder or IDC termination
Low-profile interface with sprung contacts	Less wear and easy to clean

Stingray Features and Terminology




Both Male and Female connectors can be supplied as mounted receptacle or Free Plug and Stingray 7 features a modular mounting system to enable users to fit either MOLLE or Wall Mount plates.



Colour Options

 Desert Sand RZ

 Black RZ

 Olive Drab RW



Please note that the accessories are in development and the designs are still being finalised. This catalogue will be updated to provide dimensional and performance details once the design work is completed.

Part Numbering

CONNECTORS

Series	Gender	Wiring Protocol	Shell Style	Finish	Shell Size	No. of Contacts
WM	X	XXX-	XX	XX	X	X
	M - Male (Sprung contact) F - Female (Fixed PCB)	000 Solder 001 IDC with 28 awg USB 002 IDC with 26 awg USB 003 Reserved	00 - Wall mount 01 - Supplied without mounting feature 02 - Box-mount PCB 04 - MOLLE loop mount 06 - Free connector 07 - Jam-nut mount PCB	RZ - Black RW - Olive-drab RD - Sand	2	7

Please note that equipment mount styles 02, 07 and accessories are in development and the designs are still being finalised. This catalogue will be updated to provide dimensional and performance details once the design work is completed.

ACCESSORIES

PROTECTIVE CAPS

Series	Gender	Style	Finish	Shell Size	Attachment	Eyelet
WM	X	PC	XX	X	X	X
	M F	PC	RD RZ RW	2	0 - None supplied 1 - Nylon cord 2 - Wire rope	0 - None supplied 1 - Small 2 - Large 3 - Crimp ferrule

STOWAGE RECEPTACLES

Series	Gender	Style	Finish	Shell Size
WM	X	SRX	XX	X
	M F	SR0 - Wall Mount SR4 - MOLLE	RZ RW RD	2

PERFORMANCE DATA

ELECTRICAL

Current Rating	5A per contact (5 contacts)
Voltage Rating	8 - 36V
Data Protocol	USB 2.0
Contact Resistance	< 20m Ω
Shell to Shell Continuity	≤4mΩ
Insulation Resistance	100MΩ @ 100VDC
DWV	200VDC

MECHANICAL

Mating Durability	>10,000
Vibration	General Vibration, Method 514.6 Annex E of MIL-STD-810G, Procedure I, Figure 514.6E-1
Shock	Procedure I of Method 516.6, Procedure I of MIL-STD-810G, 40g, 11ms
Separation Force, Axial	43 N
Separation Force, Peel	7 N

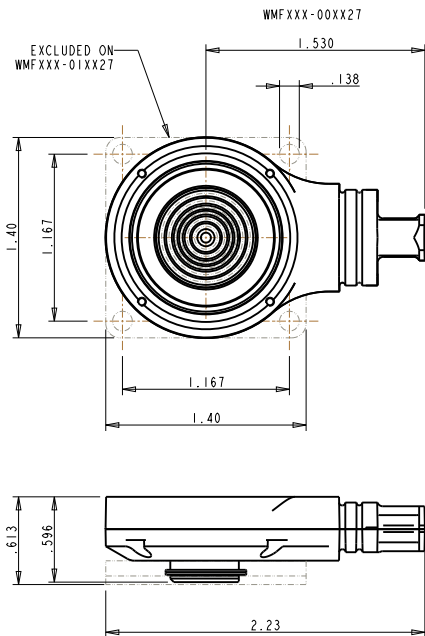
ENVIRONMENTAL

Sealing	IP68, 2 hr at 2m
Operating Temp	-55°C/+85°C
Storage Temp	-55°C/+125°C
RoHS/REACH Compliant	Yes

Cable Mount Connectors

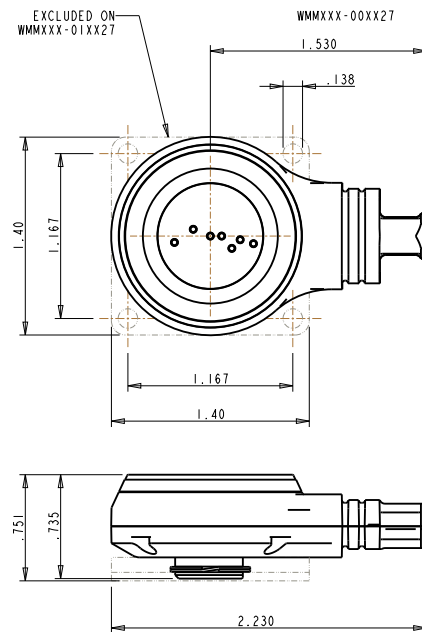
WALL MOUNT MALE

WMF00X-XXRX27



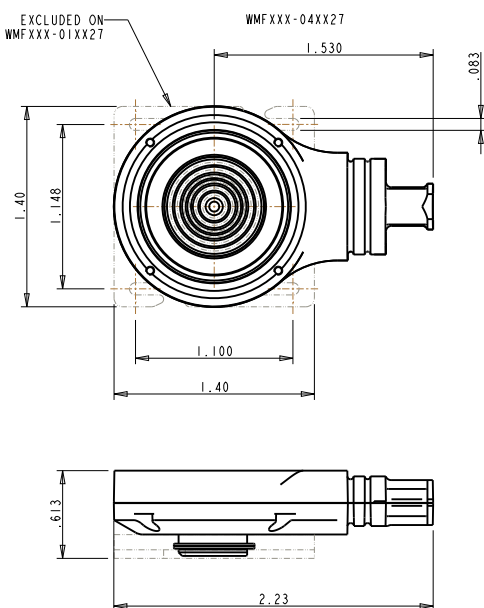
WALL MOUNT FEMALE

WMM00X-XXRX27



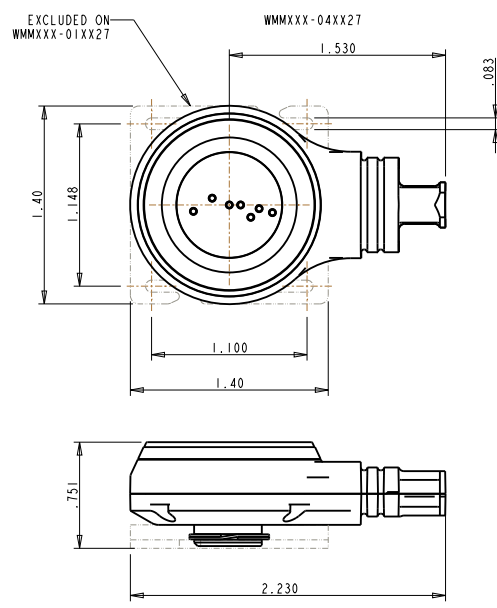
MOLLE LOOP MALE

WMF04X-XXRX27



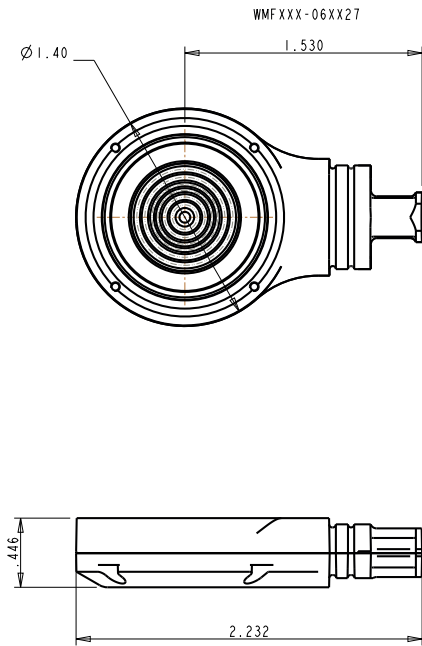
MOLLE LOOP FEMALE

WMM04 X-XXRX27

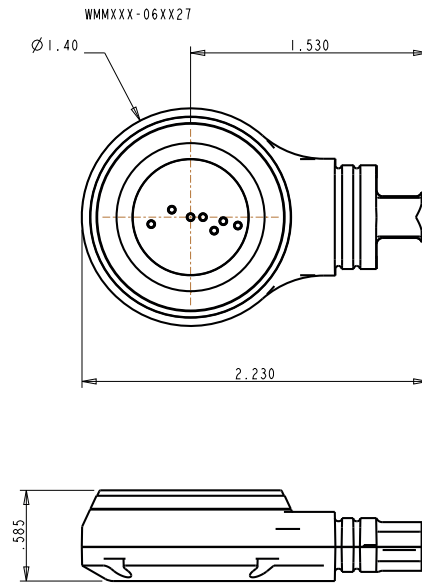


Cable Mount Connectors

FREE MALE WMM06X-XXRX27

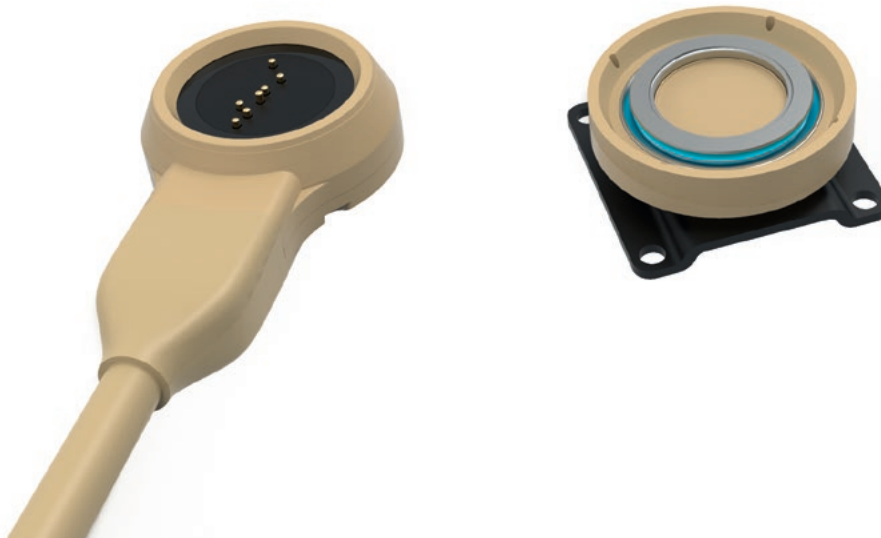


FREE FEMALE WMF06X-XXRX27



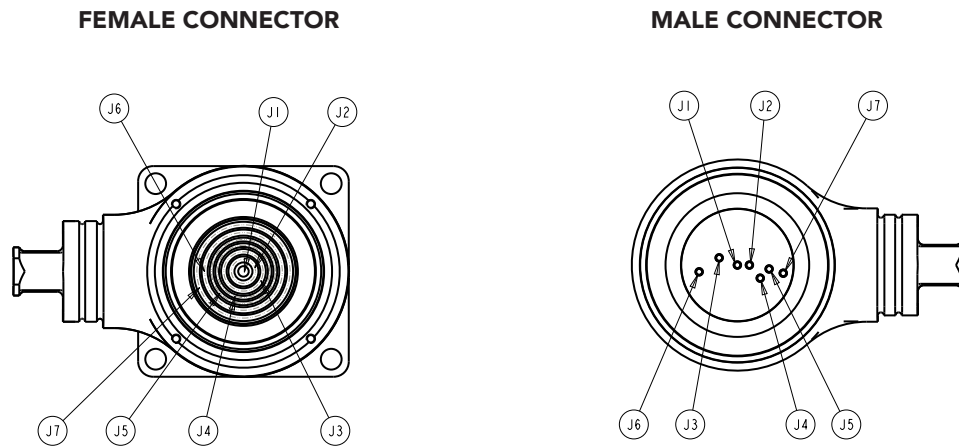
ACCESSORIES

Stingray 7 can also be supplied as an overmoulded cable harness and a range of accessories is also available

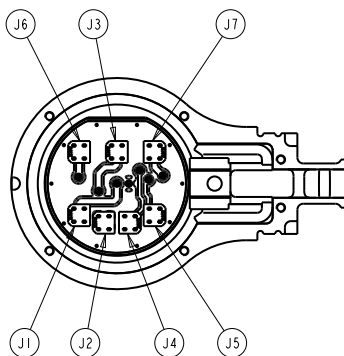


Termination Details

CONTACT POSITIONS (FRONT FACE OF CONNECTOR SHOWN)



TERMINAL POSITIONS (COMMON TO BOTH MALE AND FEMALE CONNECTORS)



Contact Terminal	J1	J2	J3	J4	J5	J6	J7
Signal Type	5A Power/Signal		Data USB 2.0 or Signal		5A Power/Signal		
Insulation Diameter	0.055" / 1.4mm MAX						
Conductor Size - 001	22 AWG		28 AWG		22 AWG		
Conductor Size - 002			26 AWG				

Amphenol LTD has made very effort to ensure that the information contained in this catalogue is accurate at time of publication. Specifications or information stated in this publication are subject to change without notice.

Unless formally agreed Amphenol LTD maintains proprietary control of these products and future derivatives.

WORLDWIDE SALES CONTACTS

Europe

Amphenol Ltd, UK

Thanet Way, Whitstable
Kent, CT5 3JF
United Kingdom
T: +44 1227 773 200

Amphenol Socapex, France

948, promenade de l'Arve BP29
74311 Thyez Cedex
France
T: +33 4 50 89 28 00

Amphenol Air LB, France

10 rue champ Raymond
08110 Carignan
France
T: +33 3 24 22 32 70

Amphenol AIR LB GmbH, Germany

Am Kleinbahnhof 4
66740 Saarlouis
Germany
T: +49 6831 981 00

Amphenol Nordic

T: +46 (0)702 3800104

Amphenol Switzerland and South Centre

*Switzerland, Slovenia, Serbia,
Montenegro, Yugoslavia,
Greece, Bulgaria*

948, promenade de l'Arve BP29
74311 Thyez Cedex
France
T: +33 4 50 89 28 00

Amphenol Italy

Via Barbaiana n.5
20020 Lainate, Milano
Italy
T: +39 293 254 214

Amphenol Benelux

Zadelmaker 121 NL
2401 PD Alphen aan den Rijn
The Netherlands
T: +31 172 444 903

Amphenol Iberica

Edificio Burgosol, Oficina nr 55
Comunidad de Madrid,
35 bis Las Rozas (Madrid)
Spain
T: +34 91 640 73 06

Amphenol Poland and Central East Europe

*Austria, Poland,
Czech Republic,
Slovakia, Romania*
Wiener gasse 68
2380 Perchtoldsdorf
Austria
T: +43 699 10396 071

North America

Amphenol PCD USA

72 Cherry Hill Drive
Beverly, MA. 01915-1065
USA
T: +1 978 624 3400

Amphenol Canada Corporation

605 Milner Avenue
Toronto, Ontario
Canada
M1B 5X6
T: +1 416 291 4401

Asia

Amphenol Daeshin, Korea

558 SongNae-2 Dong, SoSa-Gu,
Bucheon City, Gyeonggi-do
422-040, Korea
T: +82 32 610 3800

Amphenol Interconnect India Private Limited

105 Bhosari Industrial Area
Pune 411 026
India
T: +91 203 068 8304

Amphenol Japan

471-1 Deba, Ritto-City
Shiga 520-3041
Japan
T: +81 77 553 8501

Amphenol PCD CO Ltd, China

Building 21, 1st Liao Keng
Industrial Zone, Shi Yan Street
Bao An District, Shenzhen
518108
China
T: +86 755 8173 8000

Other areas

Amphenol Argentina

Av. Callao 930 2do piso Oficina B
"Plaza" C1023 – AAP, Buenos
Aires
Argentina
T: +54 11 4815 6886

Amphenol Australia Pty Limited

22 Industry Boulevard
Carrum Downs, Victoria 3201
Australia
T: +61 8796 8888

Amphenol Do Brazil

Rua Diogo Moreira
132, 20 andar, rooms 2001-2-3
CEP: 05423 010 Sao Paulo SP
Brazil
T: +55 11 3815 1003

Amphenol Bar-Tec Ltd, Israel

3 Hagavish Street, K fir-Barkan Bldg
East Industrial Zone
Kfar-Sava, 44102
Israel
T: +972 9 764 4100

Amphenol Mexico

Prolongacion Reforma 61-6 B2
Col Passo de las Lomas
CP:013130
Mexico
T: +52 55 5258 9984

Amphenol Russia

Yaroslavskaja Street 8
129164 Moscow
Russia
T: +7 495 937 6341

Amphenol South Africa

30 Impala Road
2196 Chislehurst
Sandton
South Africa
T: +27 11 783 9517

Amphenol Turkey

Sun Plaza 15 Kat:
15 Maslak Hah. Bilim
Sok. No.5
Sisli/Istanbul, 34398
Turkey
T: +90 212 367 92 19

Amphenol LTD

MILITARY & AEROSPACE

For more information call +44 (0)1227 773200

Amphenol Ltd Thanet Way Whitstable Kent CT5 3JF | **Email:** info@amphenol.co.uk | **www.amphenol.co.uk**